



DEPARTMENT OF REGULATORY AND ECONOMIC RESOURCES (RER)
BOARD AND CODE ADMINISTRATION DIVISION

NOTICE OF ACCEPTANCE (NOA)

MIAMI-DADE COUNTY
PRODUCT CONTROL SECTION
11805 SW 26 Street, Room 208
Miami, Florida 33175-2474
T (786) 315-2590 F (786) 315-2599
www.miamidade.gov/economy

Lomanco, Inc.
2101 West Main Street
Jacksonville, AR 72076

SCOPE:

This NOA is being issued under the applicable rules and regulations governing the use of construction materials. The documentation submitted has been reviewed and accepted by Miami-Dade County RER - Product Control Section to be used in Miami-Dade County and other areas where allowed by the Authority Having Jurisdiction (AHJ).

This NOA shall not be valid after the expiration date stated below. The Miami-Dade County Product Control Section (in Miami-Dade County) and/or the AHJ (in areas other than Miami-Dade County) reserve the right to have this product or material tested for quality assurance purposes. If this product or material fails to perform in the accepted manner, the manufacturer will incur the expense of such testing and the AHJ may immediately revoke, modify, or suspend the use of such product or material within their jurisdiction. RER reserves the right to revoke this acceptance, if it is determined by Miami-Dade County Product Control Section that this product or material fails to meet the requirements of the applicable building code.

This product is approved as described herein, and has been designed to comply with the Florida Building Code including the High Velocity Hurricane Zone of the Florida Building Code.

**DESCRIPTION: Lomanco 700 Series Louvered Roof Vents (730, 750, 750-S, 750-E, 770)
& TRI-BUILT® 700 Series Louvered Roof Vents (750, 750-S).**

LABELING: Each unit shall bear a permanent label with the manufacturer's name or logo, city, state and following statement: "Miami-Dade County Product Control Approved", unless otherwise noted herein.


RENEWAL of this NOA shall be considered after a renewal application has been filed and there has been no change in the applicable building code negatively affecting the performance of this product.

TERMINATION of this NOA will occur after the expiration date or if there has been a revision or change in the materials, use, and/or manufacture of the product or process. Misuse of this NOA as an endorsement of any product, for sales, advertising or any other purposes shall automatically terminate this NOA. Failure to comply with any section of this NOA shall be cause for termination and removal of NOA.

ADVERTISEMENT: The NOA number preceded by the words Miami-Dade County, Florida, and followed by the expiration date may be displayed in advertising literature. If any portion of the NOA is displayed, then it shall be done in its entirety.

INSPECTION: A copy of this entire NOA shall be provided to the user by the manufacturer or its distributors and shall be available for inspection at the job site at the request of the Building Official.

This NOA revises NOA No.16-0510.28 and consists of pages 1 through 9.

The submitted documentation was reviewed by **Freddy Semino** 



NOA No.: 20-0218.03
Expiration Date: 08/16/21
Approval Date: 03/26/20
Page 1 of 9

ROOFING COMPONENT APPROVAL

Category: Roofing
Sub-Category: Ventilation
Material: Aluminum

TRADE NAMES OF PRODUCTS MANUFACTURED OR LABELED BY APPLICANT:

<u>Product</u>	<u>Dimensions</u>	<u>Test Specification</u>	<u>Product Description</u>
Lomanco Model 730 Louvered Roof Vent	12-3/16" x 17-3/4" x 4" Min. thickness 0.025"	TAS 100(A)	Embossed aluminum static louvered roof ventilation system with a 6.5" diameter opening.
Lomanco Model 750 Louvered Roof Vent & TRI-BUILT® Model 750 Louvered Roof Vent	16" x 20-5/16" x 5" Min. thickness 0.025"	TAS 100(A)	Embossed aluminum static louvered roof ventilation system with a 8.3" diameter opening.
Lomanco Model 750-S Louvered Roof Vent & TRI-BUILT® Model 750-S	16" x 20-5/16" x 5" Min. thickness 0.025"	TAS 100(A)	Embossed aluminum static louvered roof ventilation system with a 8.3" diameter opening.
Lomanco Model 750-E Louvered Roof Vent	23" x 27-1/4" x 5" Min. thickness 0.025"	TAS 100(A)	Embossed aluminum static louvered roof ventilation system with a 8.3" diameter opening.
Lomanco Model 770 Louvered Roof Vent	16-5/8" x 22-3/8" x 6" Min. thickness 0.025"	TAS 100(A)	Embossed aluminum static louvered roof ventilation system with a 9.75" diameter opening.

MANUFACTURING LOCATION

- Jacksonville, AR

EVIDENCE SUBMITTED:

<u>Test Agency</u>	<u>Test Identifier</u>	<u>Test Name</u>	<u>Date</u>
Center for Applied Engineering	MDC-98&99	TAS100(A)	03/16/95
PRI Construction Materials Technologies	LOM-013-02-01 RRWA-001-02-01	TAS 100(A) TAS 100(A)	05/21/07 07/28/15



APPROVED APPLICATIONS

Tradename: Lomanco Model 730, 750, 750-S, 750-E, 770 Roof Louvers & TRI-BUILT® Model 750, 750-S Roof Louvers.

System Type A: Mechanical attachment of ridge vent system over composition shingles.

Cutout: Vents shall be evenly centered. Center the vent hole between rafters and maximum 18" down from the ridge line to keep the top of the roof vent below the ridge line. Mark this position.

Using marked position as center point; scribe a circle that is the same diameter as the vent throat opening. Starting at the drill hole; cut vent hole along the scribed circle.

Installation: Vents should be evenly spaced on the rear slope of the roof.

Remove roofing nails from top row of shingles so the flashing of the roof vent will slide under shingles. Apply approved roof cement around the edge of the hole. Carefully slide base of vent under shingles with arrow pointing up (non-louvered slant back facing the peak of roof). Make sure the throat of the vent is centered over vent hole. Fasten the base to roof decking with 1¼" aluminum annular ring shank nails. With the first nail 1¼" from roof louver end and a minimum of 6" o.c. at the front and backside of louver vent parallel to the ridge. And with the first nail 1¼" from roof louver end and a minimum of 8" o.c. at sides of louver vent perpendicular to ridge, keeping heads of nails under shingles where possible (see 700 Series louver roof vent profile drawing). Seal all seams and nail heads with roofing cement.

Ridge Shingle: N/A.

Net Free Area: Refer to manufacturers published literature.

Minimum Slope: 2:12



- Tradename:** Lomanco Model 750 Roof Louver & TRI-BUILT® Model 750 Roof Louver
- System Type B:** Mechanical attachment of ridge vent system over non-structural, standing seam, or snap lock, metal roof panels with a minimum width of 16".
- Cutout:** Vents shall be centered evenly in the field of the panel between the seams. Center the vent hole between rafters and maximum 18" down from the ridge line to keep the top of the roof vent below the ridge line. Mark this position.
- Using marked position as center point; scribe an 8" circle. Starting at the drill hole; cut vent hole along the scribed circle.
- Installation:** Vent flange width may be reduced to allow enough clearance to fit within the seams.
- Metal pans shall be "kerf" cut to receive the upslope portion of the vent flange. Position vent such that the upslope flange slides through the metal panel cut and underneath the metal roof covering. The remaining three sides of the flange rest on top of the metal panel.
- Apply ½" wide beads of an approved ASTM C920 sealant between the upslope flange and underside of roofing. Place additional beads of sealant on the other three sides of the flange between the vent flange and the topside of the metal panel.
- Secure the vent to the deck using (7) corrosion resistant #10-7 x 1-1/2" hex washer head screws. Fasteners shall be installed in the (7) locations shown in Detail
- Net Free Area:** Refer to manufacturers published literature.
- Minimum Slope:** 3:12

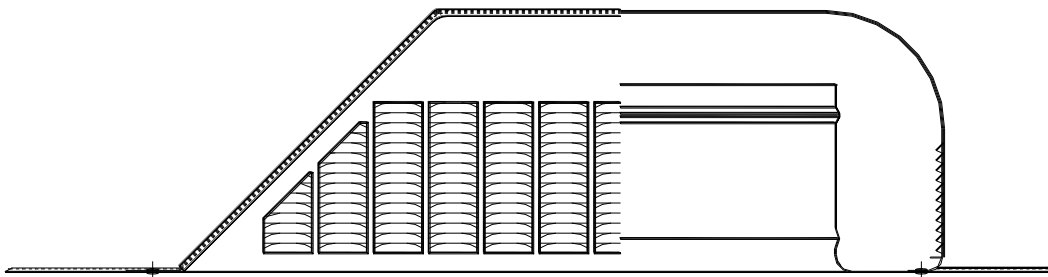
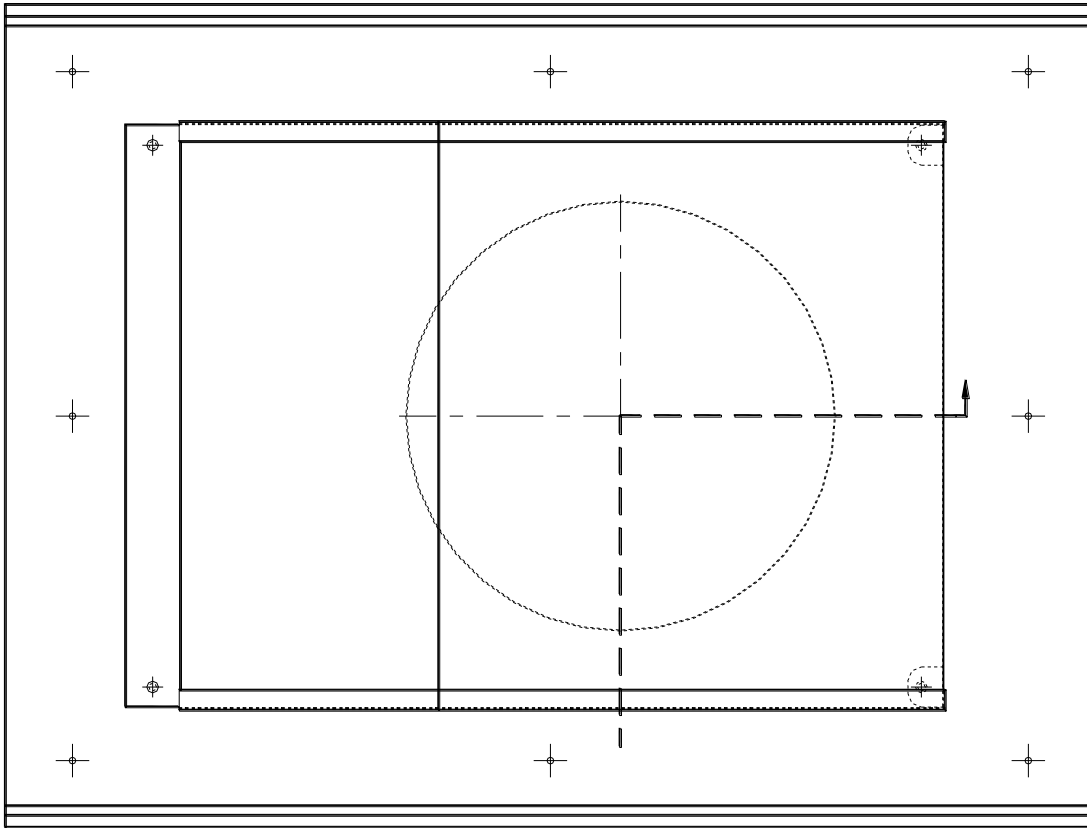
GENERAL LIMITATIONS:

1. Refer to applicable Building Code for required ventilation.
2. Lomanco's Model 730,750,750-S, 750-E, 770 and TRI-BUILT® 750, 750-S Roof Louvers shall comply with all applicable building codes.
3. Lomanco's Model 730,750,750-S, 750-E, 770 and TRI-BUILT® 750, 750-S Roof Louvers Roof Louvers shall not be installed on roof mean heights greater than 33 feet.
4. Lomanco's Model 730,750,750-S, 750-E, 770 and TRI-BUILT® 750, 750-S Roof Louvers Roof Louvers shall comply with 1517.6 of the Florida Building Code (FBC)
5. All products listed herein shall have a quality assurance audit in accordance with the Florida Building Code and Rule 61G20-3 of the Florida Administrative Code.



DETAIL DRAWINGS

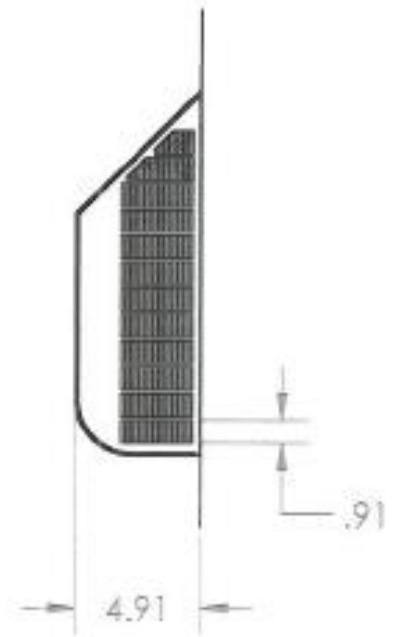
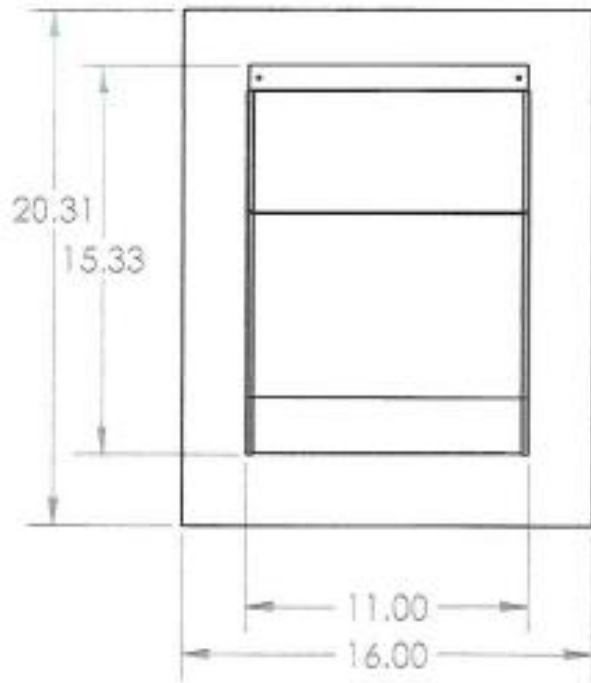
DETAIL A



**700 SERIES LOUVERED ROOF VENT
TRI-BUILT® 700 SERIES LOUVERED ROOF VENT**



DETAIL B

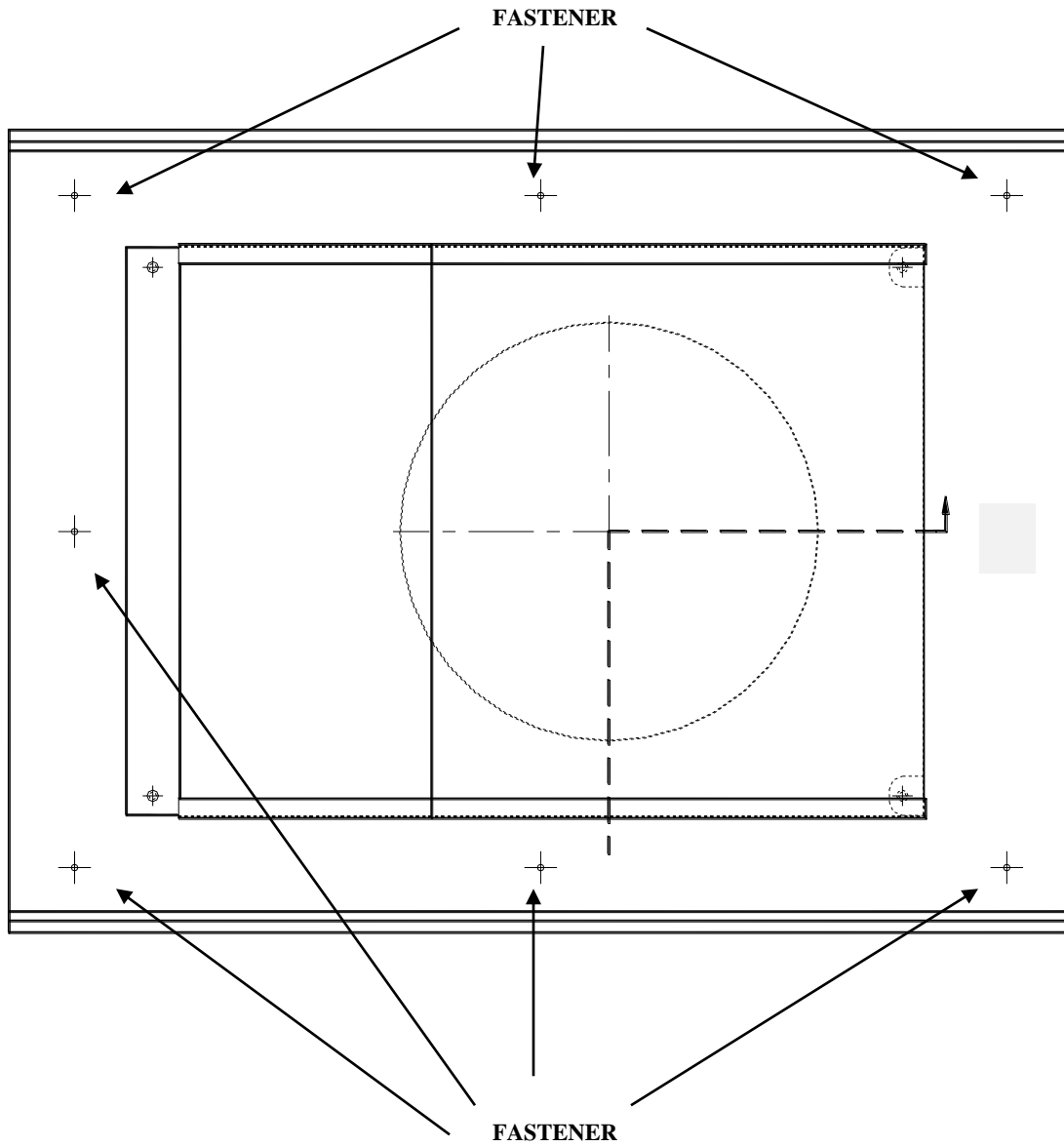


**LOMANCO 750 SERIES LOUVERED ROOF VENT
TRI-BUILT® 750 SERIES LOUVERED ROOF VENT**

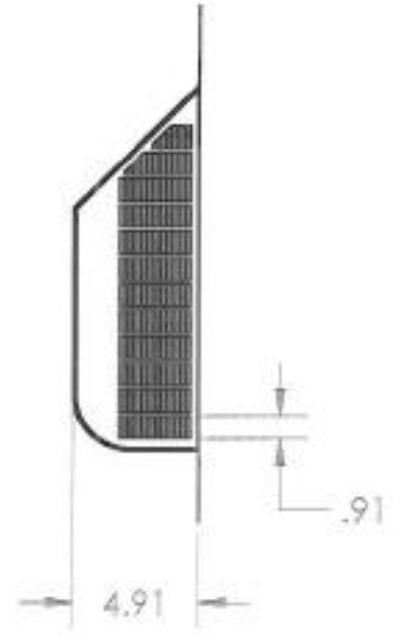
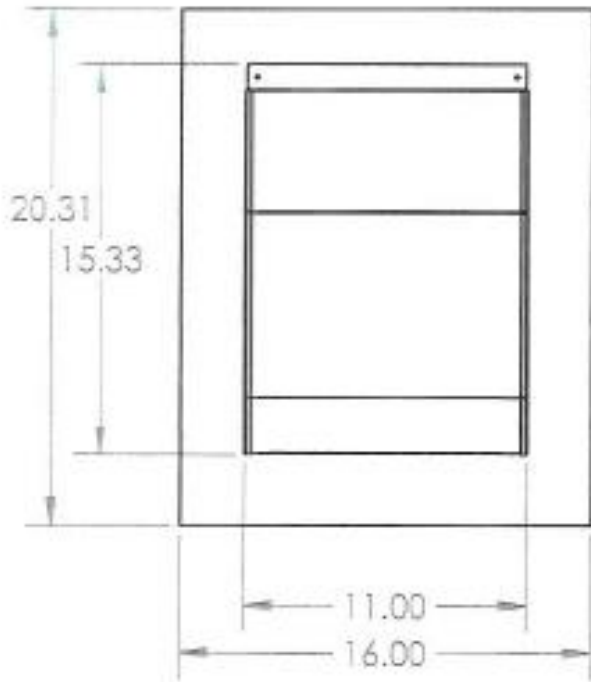


DETAIL B (CONTINUED)

**FASTENER LOCATION FOR METAL PANEL INSTALLATION OF
LOMANCO & TRI-BUILT® 750**



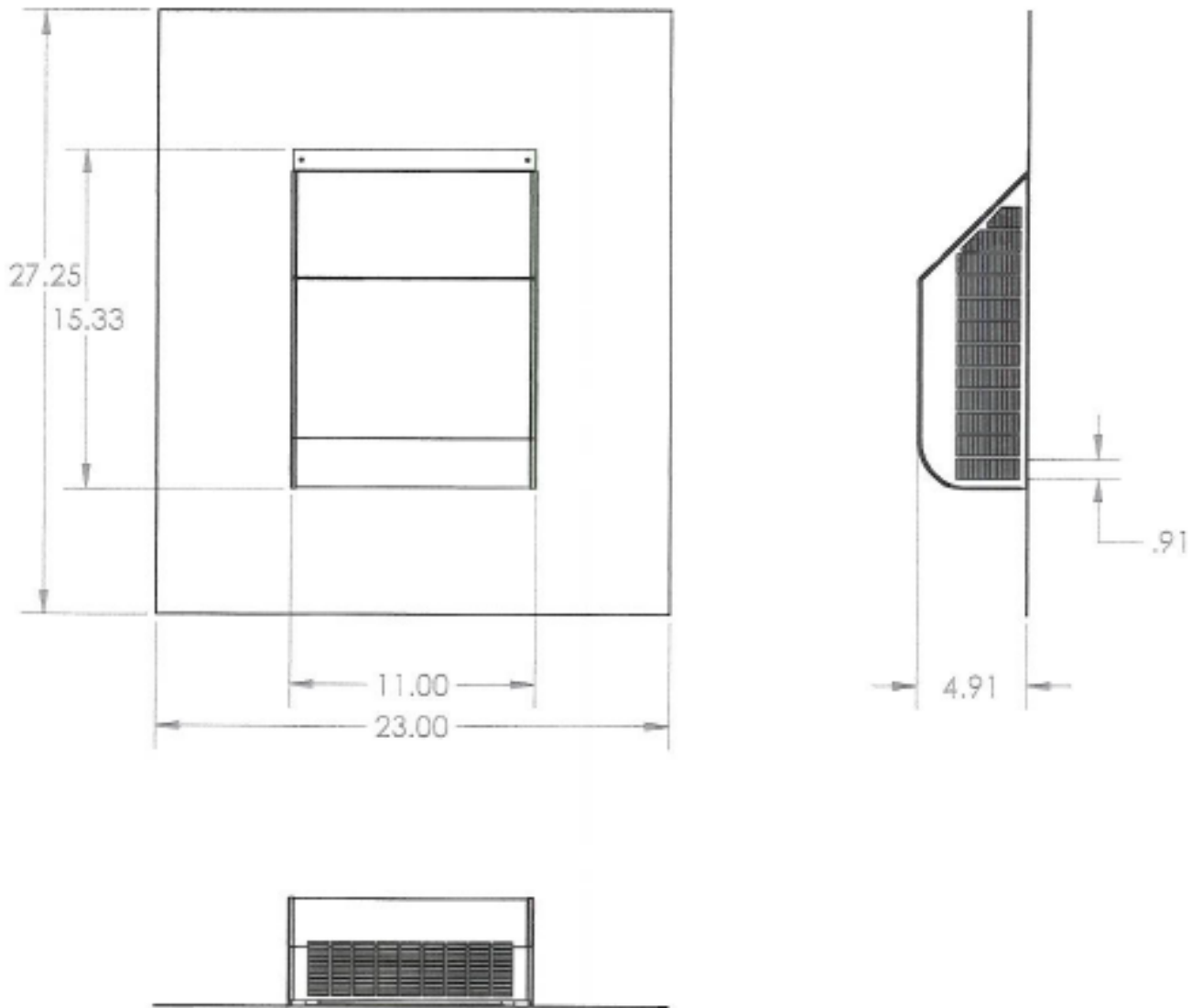
DETAIL C



**LOMANCO 750-S SERIES LOUVERED ROOF VENT
TRI-BUILT® 750-S SERIES LOUVERED ROOF VENT**



DETAIL D



LOMANCO 750-E SERIES LOUVERED ROOF VENT

END OF THIS ACCEPTANCE

