

MIAMI DADE ACCEPTANCE NO: 17-0207.11
EXPIRATION DATE: 5/25/22

TEST CERTIFICATIONS:
TAS201-94 IMPACT TEST - CLASS IV
TAS202-94 UNIFORM STATIC AIR PRESSURE
TAS203-94 CYCLE WIND PRESSURE LOAD

SPECIFICATIONS:

- ① **COVER:**
11 GA (.090) ALUM, STIFFENED TO WITHSTAND A LIVE LOAD OF 40PSF WITH A MAX DEFLECTION OF 1/150 OF THE SPAN.
- ② **LINER:** 18 GA (.040) ALUM
- ③ **CURB:** 11 GA (.090) ALUM, CURB COUNTERFLASH WITH EZ TABS.
- ④ **FINISH:** MILL
- ⑤ **INSULATION:** 1" POLYISO R-6 (5.6 LTTR) IN CURB,
1" POLYSTYRENE R-4 (3.8 LTTR) IN COVER.
- ⑥ **GASKET:**
EXTRUDED EPDM RUBBER ADHESIVE BACKED GASKET SEAL CONTINUOUS AROUND COVER.
- ⑦ **SPRING:**
GAS SPRING WITH DAMPER FOR SMOOTH, CONTROLLED, COUNTERBALANCED LIFT ASSISTANCE.
- ⑧ **HINGE:** PINTLE HINGE WITH STAINLESS STEEL HINGE PINS.
- ⑨ **HOLD OPEN ARM:**
ZINC PLATED STEEL AUTOMATIC HOLD OPEN ARM LOCKS COVER IN FULLY OPEN POSITION WITH RED VINYL GRIP HANDLE PULL RELEASE.

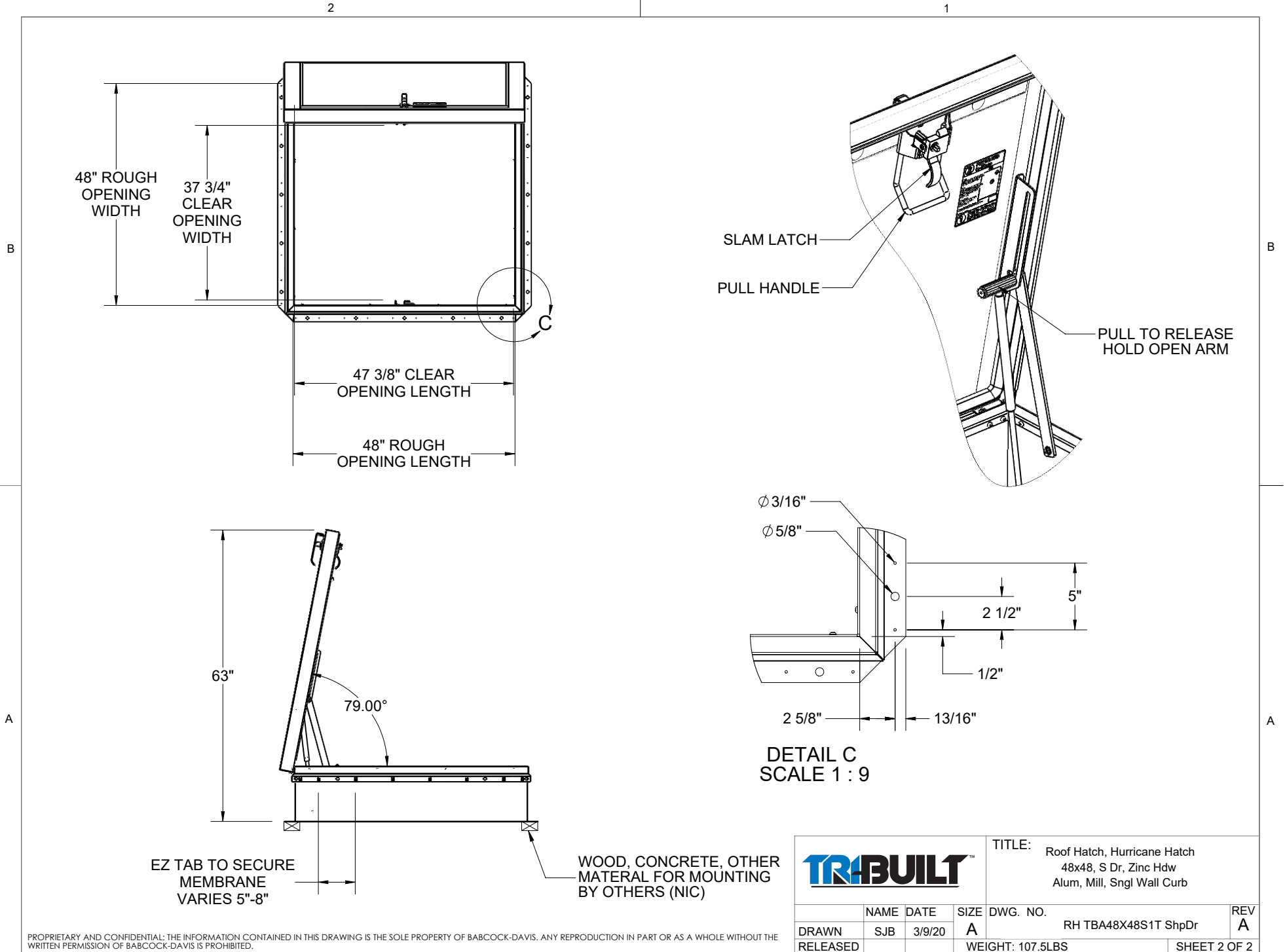
- ⑩ **LATCH:**
ZINC PLATED STEEL SLAM LATCH, HOLDS COVERS CLOSED AGAINST WIND UPLIFT, INTERIOR AND EXTERIOR HANDLES WITH PADLOCK HASPS.
- ⑪ **PULL HANDLE:**
INTERIOR PULL DOWN HANDLE, SAFETY YELLOW POWDER COAT.

NOTES:
-WHEN INSTALLING ON A PITCHED ROOF UP TO 7:12, THE HINGE SIDE(LENGTH)MUST BE PARALLEL TO THE SLOPE.
- WIDTH X LENGTH DIMENSIONS ARE MEASURED INSIDE CURB TO INSIDE CURB. THE WIDTH IS HINGE TO LATCH AND LENGTH IS HINGED SIDE.
- SPECIAL LABEL PN 3113-TB

ROOF HATCH SIZE 48" (WIDTH) x 48" (LENGTH)
CLEAR OPENING 37.75 (WIDTH) x 47.38 (LENGTH)
ROUGH OPENING 48" (WIDTH) x 48" (LENGTH)

PROPRIETARY AND CONFIDENTIAL: THE INFORMATION CONTAINED IN THIS DRAWING IS THE SOLE PROPERTY OF BABCOCK-DAVIS. ANY REPRODUCTION IN PART OR AS A WHOLE WITHOUT THE WRITTEN PERMISSION OF BABCOCK-DAVIS IS PROHIBITED.

| | | | |
|------------------|--------|---|----------------------|
| PROJECT: | | | |
| ARCHITECT: | | | |
| CONTRACTOR: | | | |
| QTY: | | | |
| PART#: | | TBA48X48S1T | |
| | | TITLE: Roof Hatch, Hurricane Hatch 48x48, S Dr, Zinc Hdw Alum, Mill, Sngl Wall Curb | |
| | | | |
| NAME | DATE | SIZE | DWG. NO. |
| DRAWN SJB | 3/9/20 | A | RH TBA48X48S1T ShpDr |
| RELEASED | | | REV A |
| WEIGHT: 107.5LBS | | SHEET 1 OF 2 | |



PROPRIETARY AND CONFIDENTIAL: THE INFORMATION CONTAINED IN THIS DRAWING IS THE SOLE PROPERTY OF BABCOCK-DAVIS. ANY REPRODUCTION IN PART OR AS A WHOLE WITHOUT THE WRITTEN PERMISSION OF BABCOCK-DAVIS IS PROHIBITED.

| | | | | | |
|----------|--------|------|------------------------------------|--------------|--|
| | | | TITLE: Roof Hatch, Hurricane Hatch | | |
| | | | 48x48, S Dr, Zinc Hdw | | |
| | | | Alum, Mill, Sngl Wall Curb | | |
| NAME | DATE | SIZE | DWG. NO. | REV | |
| SJB | 3/9/20 | A | RH TBA48X48S1T ShpDr | A | |
| RELEASED | | | WEIGHT: 107.5LBS | SHEET 2 OF 2 | |