

GALVANIZED 1¼" - 4"

Roof Pipe Flash

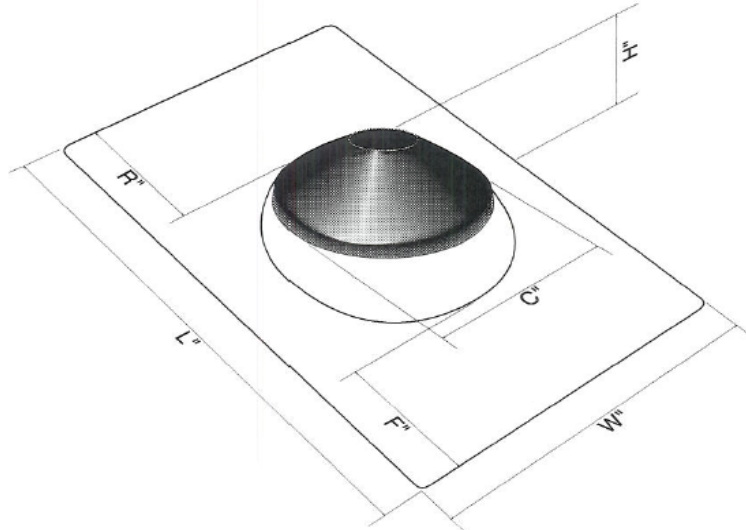
PRODUCT FEATURES



- 24 gauge galvanized base with elastomer collar
- Fits any roof pitch to 45°
- Approved for Type "B" installations
- Elastomer collar heat tested to 180° Fahrenheit
- Tested for ultraviolet, ozone, and weather resistance

SPECIFICATION

Furnish and install roof vent flashing with 24 gauge galvanized steel base, fitted with elastomer collar. (Do not use Petroleum based mastics, sealing compounds, or paints on collar portion of all flashings, on all hardbase, flexible, or rain collars.)



DIMENSIONAL CHARACTERISTICS

Vent Size	Dim. Width	Dim. Length	Dim. Right	Dim. Front	Dim. Center	Dim. Height
1¼" - 1½"	8¾"	12½"	3½"	2d"	4¼"	2¼"
2"	8¾"	12½"	3½"	2d"	4¼"	2¼"
3"	10¾"	14½"	2 ⁵ / ₈ "	2d"	5½"	2"
4"	12"	16"	3¾"	2¾"	6½"	2c"

PRODUCT	DESCRIPTION	UNITS/ CASE	LBS./ CASE
TRI-BUILT® Galvanized Steel Base 3" Roof Pipe Flash	10¾" x 14½" Base for 3" Vent Pipe	20	26
TRI-BUILT® Galvanized Steel Base 4" Roof Pipe Flash	12" x 16" Base for 4" Vent Pipe	20	29
TRI-BUILT® Galvanized Steel Base 2" Roof Pipe Flash	8¾" x 12½" Base for 2" Vent Pipe	20	18
TRI-BUILT® Galvanized Steel Base 1¼" - 1½" Roof Pipe Flash	8¾" x 12½" Base for 1¼" or 1½" Vent Pipe	20	19