

HARD PLASTIC ADJUSTABLE 1 1/4" - 4" Roof Pipe Flash

PRODUCT FEATURES

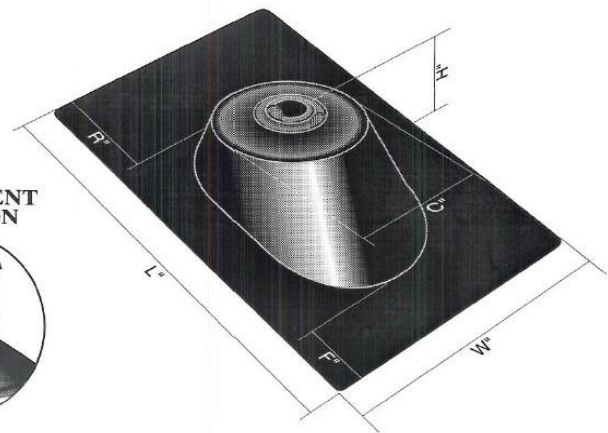
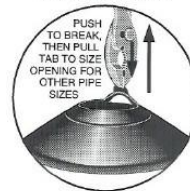


- Adjustable multi-size flashing fits 1 1/4" - 4" vent pipe
- Tested for ultraviolet, ozone, and weather resistance
- Elastomer collar heat tested to 180° Fahrenheit
- Fits any roof pitch to 45°
- Approved for type "B" installations

SPECIFICATION

Furnish and install hard plastic base roof vent flashing with adjustable, multi-size elastomer collar. (Do not use Petroleum based mastics, sealing compounds, or paints on collar portion of all flashings, on all hardbase, flexible, or rain collars.)

ADJUSTMENT FUNCTION



DIMENSIONAL CHARACTERISTICS

Vent Size	Dim. Width	Dim. Length	Dim. Right	Dim. Front	Dim. Center	Dim. Height
1 1/4" - 3"	11-1c"	15"	3 1/2"	2 1/2"	5 3/10"	2 f"
3" - 4"	12"	15 1/2"	3d"	2c"	6 1/4"	2 9/10"

PRODUCT	DESCRIPTION	UNITS/ CASE	LBS./ CASE
TRI-BUILT® Hard Plastic Black 1-1/4" - 3" Roof Pipe Flash	11-1/8" x 15" Base for 1-1/4", 1-1/2", 2" or 3" Vent Pipe	20	11
TRI-BUILT® Hard Plastic Black 3" - 4" Roof Pipe Flash	12" x 15-1/2" Base for 3" or 4" Vent Pipe	20	13