



## ABOUT TRI-BUILT®

TRI-BUILT™ launched in 2004, provides residential and commercial building materials of the highest quality. By focusing on the professional contractor, TRI-BUILT has become a recognized and trusted leader in the construction industry.

TRI-BUILT supplies residential and commercial roofing products as well as complimentary building materials across the United States and Canada. From roofing and siding materials, accessories, and select interior products, TRI-BUILT is a name you can trust that defines quality with a competitive price.

---

High Quality Products That Deliver Professional Results

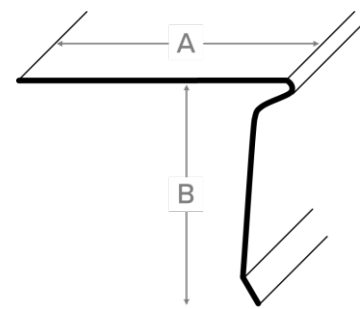


## PRODUCT CATALOG

- ▶ EAVE DRIP
- ▶ GUTTER APRON
- ▶ ROOF EDGE
- ▶ FLASHINGS
- ▶ ROLL VALLEY

# EAVE DRIP

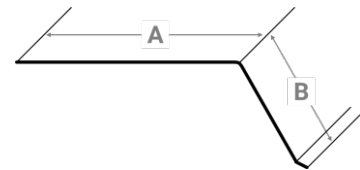
## EAVE DRIP



MATERIAL	GAUGE	A	B	FINISH	SKU	PACKAGED
Steel	29 ga	2-3/8"	1-1/2"	White	TBED29WH45112	25 / Carton
				Black	TBED29BK45112	
		2-3/4"	1-1/8"	White	TBED29WH45118	
Aluminum	Standard	2-7/8"	1-1/2"	White	TBED29WH50112	50 / Carton
		2-5/8"	1-1/2"	White w/ Hem	TBEDW50112HE	
		2-3/4"	1-1/8"	White	TBEDWA45118	
		2-7/8"	1-1/2"	White	TBEDWA50112	25 / Carton
				Black	TBEDBKA1650112	
		Brown	TBEDBA50112			
3-1/16"	1-1/8"	Black w/ Hem	TBEDK50118HE	50 / Carton		

# GUTTER APRON

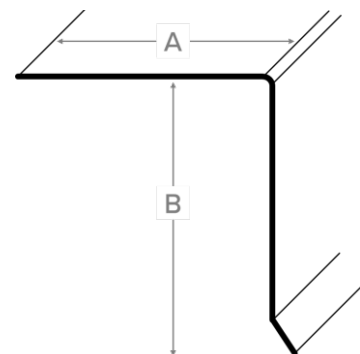
## GUTTER APRON



MATERIAL	GAUGE	A	B	FINISH	SKU	PACKAGED
Aluminum	Standard	4"	2"	White	TBREWA60200-135	25 / Bundle
				Black	TBREBKA60200-135	
				Brown	TBREBA60200-135	

# ROOF EDGE

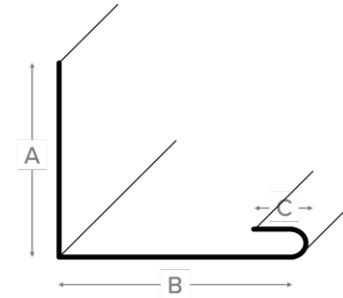
## ROOF EDGE



MATERIAL	GAUGE	A	B	FINISH	SKU	PACKAGED
Steel	Economy	1-1/2"	1-3/8"	Mill Finish	TBRES3011250	50 / Carton
	30 ga	2"	1-7/8"	White	TBRE29WH40200	25 / Carton
				Brown	TBRE29BR40200	

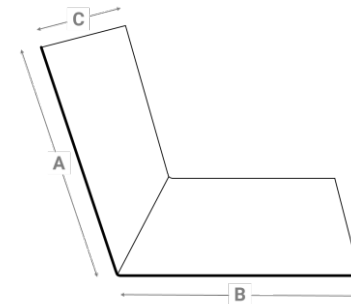
# FLASHINGS

## ANGLE FLASHING



MATERIAL	GAUGE	A	B	C	FINISH	SKU	PACKAGED
Steel	30 ga	4"	4"	1/2"	Mill Finish	TBAF2940405	20 / Bundle
	Economy					TBAFS40405	

## STEP FLASHING



MATERIAL	GAUGE	A	B	C	FINISH	SKU	PACKAGED	
Steel	Economy	2"	4"	8"	Mill Finish	TBSTPS248-100	100 / Carton	
				7"		TBSTPS447-100		
				8"		TBSTPS448-100		
Aluminum	Standard	2"	3"	7"	Black	TBSTPBKA247-100		
						4"		TBSTPBKA347-100
								TBSTPBKA447-100
								TBSTPBKA448-100

# ROLL VALLEY

## ROLL VALLEY



MATERIAL	GAUGE	SIZE	FINISH	SKU	PACKAGED	
Steel	Economy	10" x 50'	Mill Finish	TBVG1050	Roll	
		18" x 50'		TBVG1850		
		20" x 50'		TBVG2050		
		Aluminum		12" x 50'		TBVAEC1250
				14" x 50'		TBVAEC1450
				20" x 50'		TBVAEC2050
	24" x 50'	TBVAEC2450				