



DEPARTMENT OF REGULATORY AND ECONOMIC RESOURCES (RER)  
BOARD AND CODE ADMINISTRATION DIVISION

**NOTICE OF ACCEPTANCE (NOA)**

MIAMI-DADE COUNTY  
PRODUCT CONTROL SECTION

11805 SW 26 Street, Room 208  
Miami, Florida 33175-2474  
T (786) 315-2590 F (786) 315-2599

[www.miamidade.gov/economy](http://www.miamidade.gov/economy)

**Lomanco, Inc.**  
**2101 West Main Street**  
**Jacksonville, AR 72076**

**SCOPE:**

This NOA is being issued under the applicable rules and regulations governing the use of construction materials. The documentation submitted has been reviewed and accepted by Miami-Dade County RER - Product Control Section to be used in Miami-Dade County and other areas where allowed by the Authority Having Jurisdiction (AHJ).

This NOA shall not be valid after the expiration date stated below. The Miami-Dade County Product Control Section (in Miami-Dade County) and/or the AHJ (in areas other than Miami-Dade County) reserve the right to have this product or material tested for quality assurance purposes. If this product or material fails to perform in the accepted manner, the manufacturer will incur the expense of such testing and the AHJ may immediately revoke, modify, or suspend the use of such product or material within their jurisdiction. RER reserves the right to revoke this acceptance, if it is determined by Miami-Dade County Product Control Section that this product or material fails to meet the requirements of the applicable building code.

This product is approved as described herein, and has been designed to comply with the Florida Building Code including the High Velocity Hurricane Zone of the Florida Building Code.

**DESCRIPTION:** Lomanco BIB-12, BEB-12, BIB-12TR, BEB-12TR Whirlybirds & TRI-BUILT® BIB-12, BEB-12 Whirlybirds.

**LABELING:** Each unit shall bear a permanent label with the manufacturer's name or logo, city, state and following statement: "Miami-Dade County Product Control Approved", unless otherwise noted herein.

**RENEWAL** of this NOA shall be considered after a renewal application has been filed and there has been no change in the applicable building code negatively affecting the performance of this product.

**TERMINATION** of this NOA will occur after the expiration date or if there has been a revision or change in the materials, use, and/or manufacture of the product or process. Misuse of this NOA as an endorsement of any product, for sales, advertising or any other purposes shall automatically terminate this NOA. Failure to comply with any section of this NOA shall be cause for termination and removal of NOA.

**ADVERTISEMENT:** The NOA number preceded by the words Miami-Dade County, Florida, and followed by the expiration date may be displayed in advertising literature. If any portion of the NOA is displayed, then it shall be done in its entirety.

**INSPECTION:** A copy of this entire NOA shall be provided to the user by the manufacturer or its distributors and shall be available for inspection at the job site at the request of the Building Official.

This NOA renews NOA# 20-0218.04 and consists of pages 1 through 7.  
The submitted documentation was reviewed by Alex Tigera.



**NOA No.: 21-0629.04**  
**Expiration Date: 08/16/26**  
**Approval Date: 08/12/21**  
**Page 1 of 7**

## ROOFING COMPONENT APPROVAL

**Category:** Roofing  
**Sub-Category:** Ventilation  
**Material:** Aluminum

### TRADE NAMES OF PRODUCTS MANUFACTURED OR LABELED BY APPLICANT:

<b><u>Product</u></b>	<b><u>Dimensions</u></b>	<b><u>Test Specification</u></b>	<b><u>Product Description</u></b>
<b>Lomanco BIB-12 Whirlybird &amp; TRI- BUILT BIB-12 Whirlybird</b>	12" wide at base 17-18" high Vanes: 0.0175" thick Elbow: 0.0305" thick Base: 0.025" thick	TAS 100(A)	Turbine ventilation system, internally braced, for shingle installation.
<b>Lomanco BIB-12TR Whirlybird</b>	12" wide at base 20-1/2" high Vanes: 0.0175" thick Elbow: 0.0305" thick Base: 0.025" thick	TAS 100(A)	Turbine ventilation system, internally braced, for shingle, tile, or slate installation.
<b>Lomanco BEB-12 Whirlybird &amp; TRI- BUILT BEB-12 Whirlybird</b>	12" wide at base 17-18" high Vanes: 0.0175" thick Elbow: 0.0305" thick Base: 0.025" thick "	TAS 100(A)	Turbine ventilation system, externally braced, for shingle installation.
<b>Lomanco BEB-12TR Whirlybird</b>	12" wide at base 20-1/2" high Vanes: 0.0175" thick Elbow: 0.0305" thick Base: 0.025" thick	TAS 100(A)	Turbine ventilation system, externally braced, for shingle, tile, or slate installation.
<b>Turbine Cap</b>	12" dia.	TAS 100(A)	Turbine cap to be installed in the event of a Hurricane Warning.



**TRADE NAMES OF PRODUCTS MANUFACTURED BY OTHERS:**

<u>Product</u>	<u>Dimensions</u>	<u>Test Specification</u>	<u>Product Description</u>	<u>Manufacturer</u>
Asphalt Roof Cement		ASTM D4586	Asbestos-free, asphalt based roof cement.	Generic.
Asphalt Primer		ASTM D41	Asphalt primer	Generic.
Roofing Nails	Minimum #12 x 1-1/4"	TAS 114	Corrosion resistant annular ring shank nails.	Generic.
Sheet Metal Screws	Minimum #10 x 1/2"	TAS 114	Sheet metal screw	Generic.

**MANUFACTURING LOCATION**

- Jacksonville, AR

**EVIDENCE SUBMITTED:**

<u>Test Agency</u>	<u>Test Identifier</u>	<u>Test Name</u>	<u>Date</u>
Center for Applied Engineering	MDC-117	TAS 100(A)	03/95
	MTS-257493B	TAS 100(A)	12/95
PRI Construction Materials Technologies	LOM-012-02-02	TAS 100(A)	05/21/07
	LOM-020-02-01	TAS 100(A)	07/20/11
Intertek	M0018.02-801-18-R2	TAS 100(A)	06/05/21



## APPROVED APPLICATIONS

**Trade name:** Lomanco BIB-12, BEB-12, BIB-12TR, BEB-12TR Whirlybirds  
TRI-BUILT® BIB-12 Whirlybird®, BEB-12 Whirlybird®

**System Type A:** Mechanical attachment of turbine vent over composition shingles.

**Cutout:** At chosen location (see Lomanco's instructions for proper placement) and centered between two roof rafters, cut a 12" diameter hole through shingles and sheathing boards. Seal around top and sides of hole with approved roofing cement.

**Installation:** Determine roof pitch in compliance with Lomanco's instructions and align roof pitch number on elbow with indicator line on flashing. Place three short screws through holes that line up with pre-drilled holes in base.

Place mounting base unit flat on the shingles on its flashing, and coat underside of base flashing with roofing cement. In its pitch-adjusted position, carefully slide upper half of flashing up roof beneath shingles previously rolled back until base is centered over cutout. Rolling back the shingles where necessary, and rechecking pitch setting for vertical alignment, secure the base unit to the roof deck with a minimum of fourteen ring shank roofing nails, equally spaced, approximately  $\frac{3}{4}$ " from edge of base per detail drawing "Base". Nails shall be of sufficient length to penetrate through roof sheathing a minimum of  $\frac{1}{2}$ ". Apply roofing cement to underside of shingles overlapping flashing, and press them down onto the flashing. Nail down flashing not covered by shingles  $\frac{1}{2}$ " to 1" from outer edge with equally spaced ring shank roofing nails.

Rotate top of elbow to level position by turning counterclockwise. Place locking clamp across seam and tighten as shown in Lomanco's instructions with approved sheet metal screw. Seal all seams and nails with approved roofing cement.

Position Whirlybird on the base. Line up the pre-drilled holes in the brackets and base and fasten with approved long sheet metal screws.

After installation, verify that whirlybird turns freely. If necessary, minor adjustment may be made by gently prying lowest point of turbine upward to remove any wobble.

**Net Free Area:** Refer to manufacturers published literature

**Note:** Apply roofing cement to seal all exposed flashing edges and seams.



## APPROVED APPLICATIONS (CONTINUED)

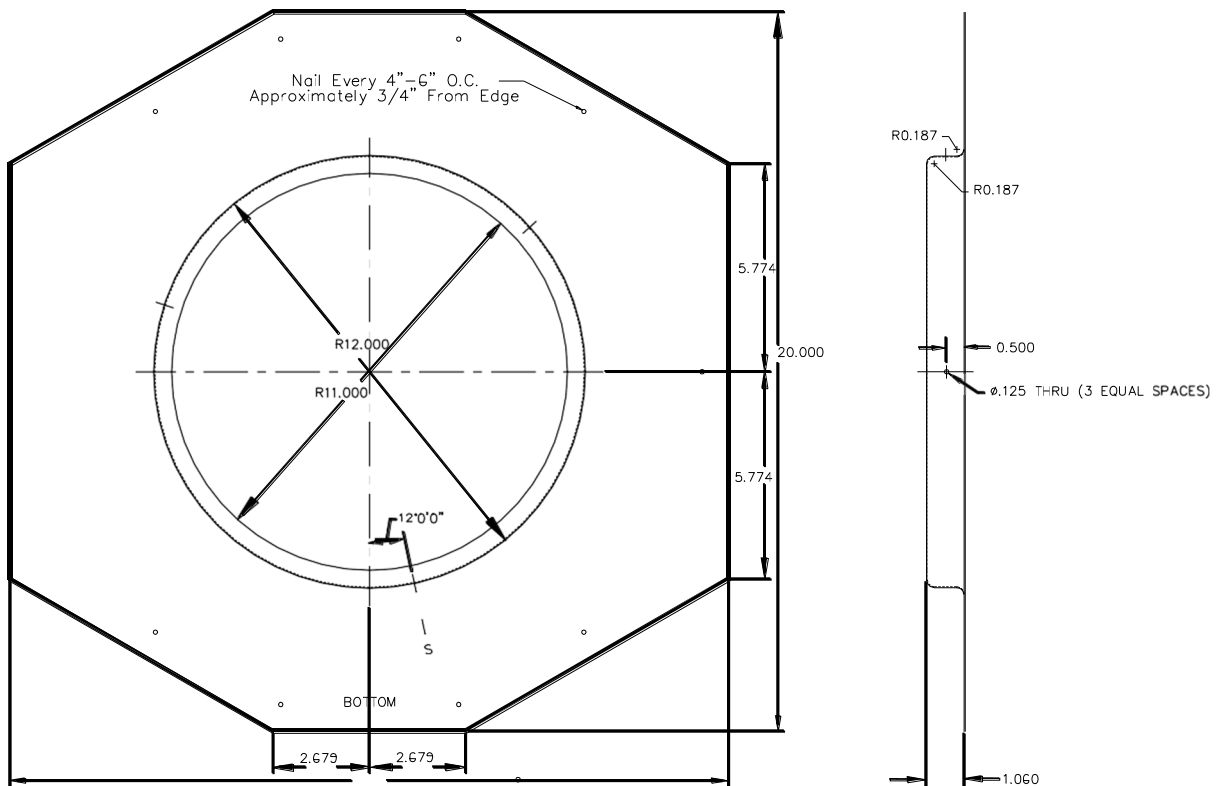
- Trade name:** Lomanco BIB-12TR Whirlybird®, BEB-12TR Whirlybird®
- System Type A:** Mechanical attachment of turbine vent for tile or slate roofing.
- Cutout:** At chosen location (see Lomanco's instructions for proper placement) and centered between two rafters, cut a 12" diameter hole through sheathing boards.
- Installation:** After application of 30 lb. felt and 90 lb. roofing material (hot mopped) per Roofing Application Standards RAS 118,119,120, cut 12" diameter hole in roofing membranes to match previous hole cut in sheathing. Rotate top of elbow clockwise and level in both directions. Prime both sides of base flashing with ASTM D 41 primer, and coat underside of base flashing with ASTM D 4586 flashing cement. Center base over hole and secure the base unit to the roof deck with a minimum of fourteen ring shank roofing nails, equally spaced, approximately ¾" from edge of base per detail drawing "Base". Cut a piece of 90 lb. roofing material a minimum width of 30" x 30" and cut a 12" diameter hole in the center of the roofing material. Place the piece of roofing material over base and hot mop in place. Seal inside center hole of cap sheet with approved flashing cement. Place locking clamp across seam and tighten as shown in Lomanco's instructions with supplied fastener. Seal all seams with approved roofing cement.
- Position Whirlybird® on elbow and attach using three sheet metal screws provided. Check to see that Whirlybird® turns freely. If necessary, minor adjustment may be made by gently prying lowest point of turbine upward to remove any wobble.
- Net Free Area:** Refer to manufacturers published literature
- Note:** Apply roofing cement to seal all exposed flashing edges and seams.



## LIMITATIONS:

1. Refer to applicable building codes for required ventilation.
2. Lomanco BIB-12, BEB-12 Whirlybird® & TRI-BUILT® BIB-12, BEB 12 Whirlybird® turbine roof ventilators shall be installed over composition shingles roofs only.
3. Lomanco BIB-12, BEB-12, BIB-12TR, BEB-12TR, Whirlybird® & TRI-BUILT® BIB-12, BEB 12 Whirlybird® turbine roof ventilators shall not be installed on roof mean heights greater than 33 feet.

## DETAIL DRAWINGS

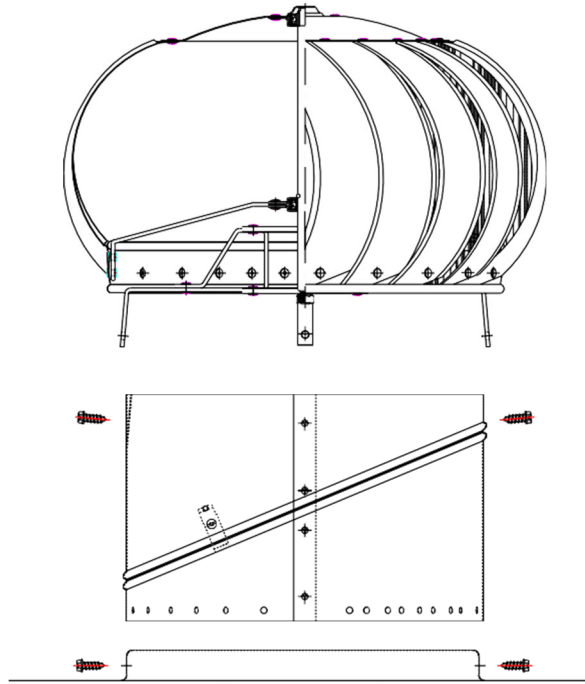


BASE

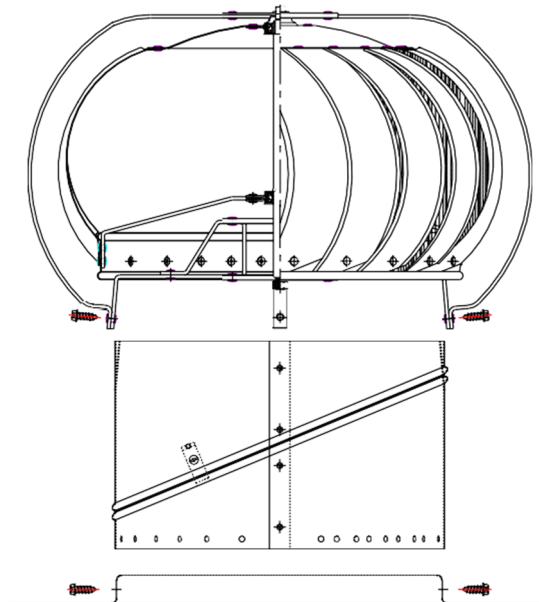
MIAMI-DADE COUNTY  
APPROVED

NOA No.: 21-0629.04  
Expiration Date: 08/16/26  
Approval Date: 08/12/21  
Page 6 of 7

**DETAIL DRAWINGS (CONT'D)**



**Lomanco BIB-12, BIB-12TR  
TRI-BUILT BIB-12**



**Lomanco BEB-12, BEB-12TR  
TRI-BUILT BEB-12  
END OF THIS ACCEPTANCE**