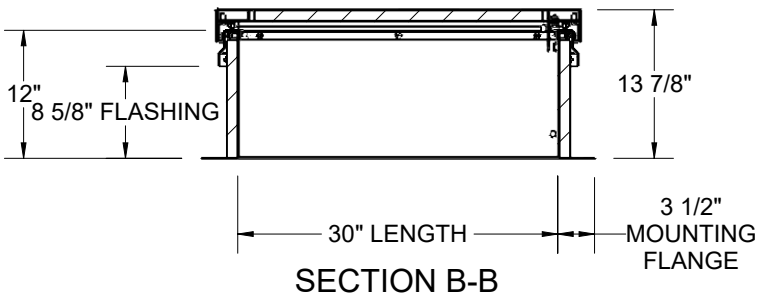
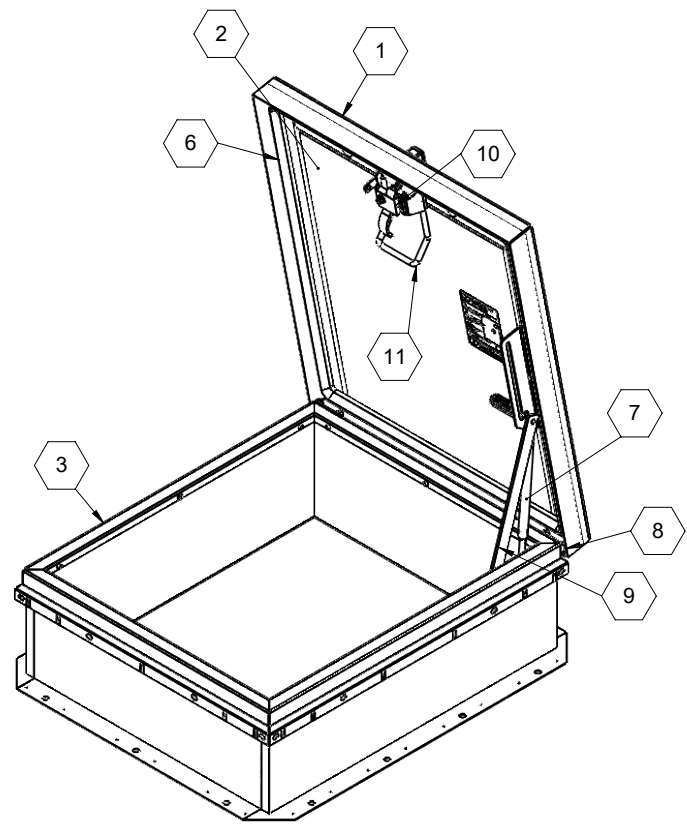


SECTION A-A



SECTION B-B

SPECIFICATIONS:

- ① **COVER:**
14 GA GALV STEEL, STIFFENED TO WITHSTAND A LIVE LOAD OF 40PSF WITH A MAX DEFLECTION OF 1/150 OF THE SPAN.
- ② **LINER:** 22 GA GALV STEEL
- ③ **CURB:** 14 GA GALV STEEL, CURB COUNTERFLASH WITH EZ TABS.
- ④ **FINISH:** RED OXIDE PWD
- ⑤ **INSULATION:** 1" POLYISO R-6 (5.6 LTTR) IN CURB,
1" POLYSTYRENE R-4 (3.8 LTTR) IN COVER.
- ⑥ **GASKET:**
EXTRUDED EPDM RUBBER ADHESIVE BACKED GASKET SEAL CONTINUOUS AROUND COVER.
- ⑦ **SPRING:**
GAS SPRING WITH DAMPER FOR SMOOTH, CONTROLLED, COUNTERBALANCED LIFT ASSISTANCE.
- ⑧ **HINGE:** PINTLE HINGE WITH STAINLESS STEEL HINGE PINS.
- ⑨ **HOLD OPEN ARM:**
ZINC PLATED STEEL AUTOMATIC HOLD OPEN ARM LOCKS COVER IN FULLY OPEN POSITION WITH RED VINYL GRIP HANDLE PULL RELEASE.

- ⑩ **LATCH:**
ZINC PLATED STEEL SLAM LATCH, HOLDS COVERS CLOSED AGAINST WIND UPLIFT, INTERIOR AND EXTERIOR HANDLES WITH PADLOCK HASPS.
 - ⑪ **PULL HANDLE:**
INTERIOR PULL DOWN HANDLE, SAFETY YELLOW POWDER COAT.
- NOTES:**
 -WHEN INSTALLING ON A PITCHED ROOF UP TO 7:12, THE HINGE SIDE(LENGTH)MUST BE PARALLEL TO THE SLOPE.
 - WIDTH X LENGTH DIMENSIONS ARE MEASURED INSIDE CURB TO INSIDE CURB. THE WIDTH IS HINGE TO LATCH AND LENGTH IS HINGED SIDE.
 -SPECIAL LABEL PN 3113-TB

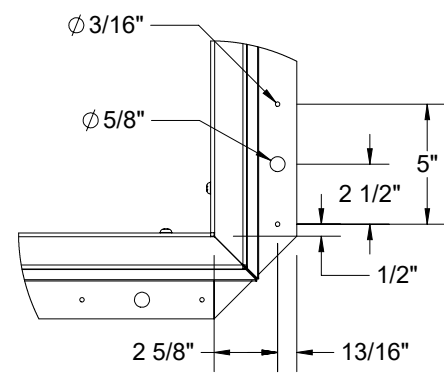
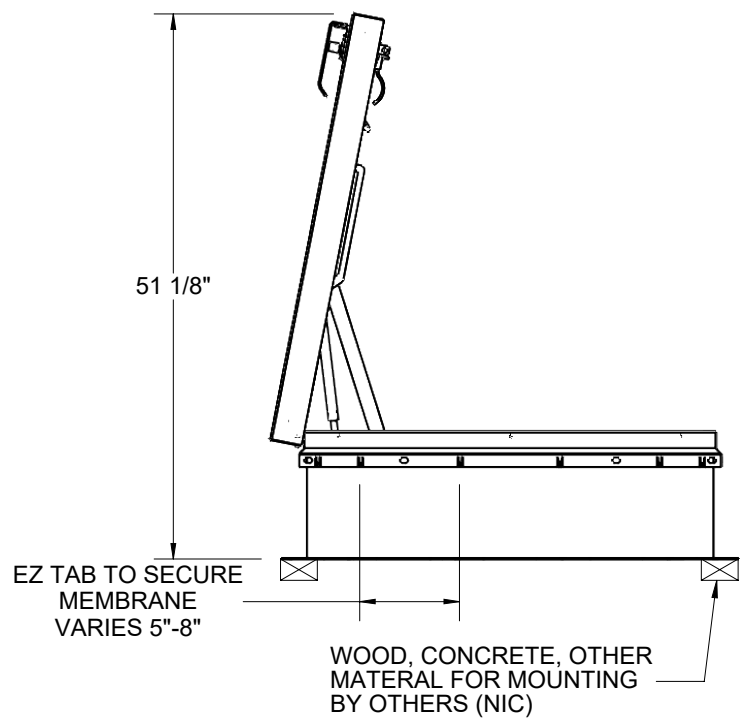
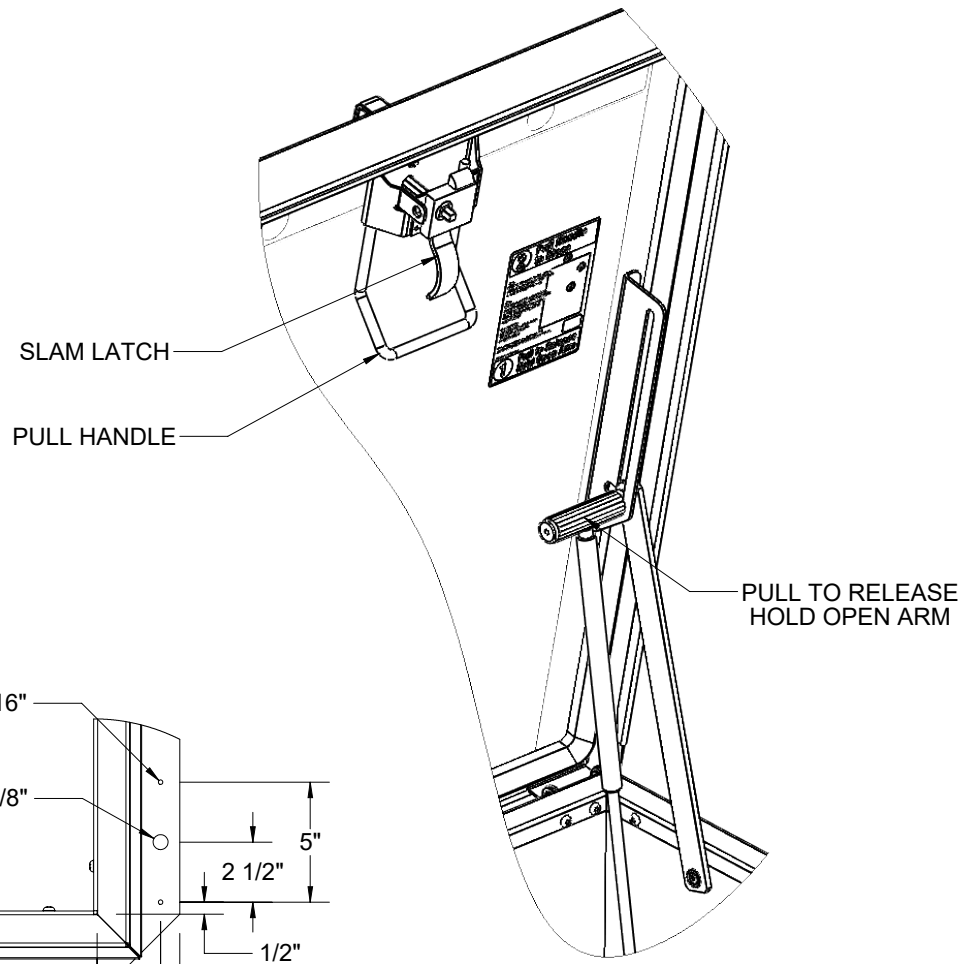
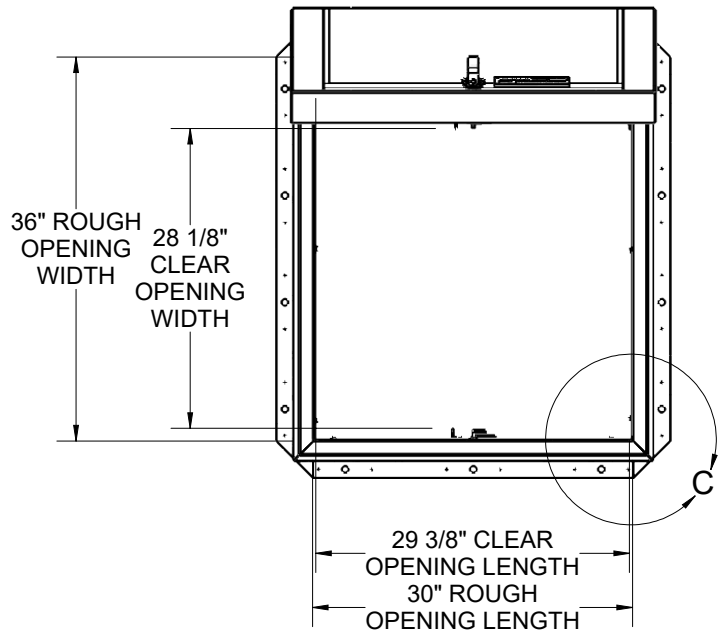
ROOF HATCH SIZE 36" (WIDTH) x 30" (LENGTH)
CLEAR OPENING 28.2(WIDTH) x 29.38 (LENGTH)
ROUGH OPENING 36" (WIDTH) x 30" (LENGTH)



MIAMI DADE ACCEPTANCE NO: 17-0207.11
EXPIRATION DATE: 5/25/22

TEST CERTIFICATIONS:
 TAS201-94 IMPACT TEST - CLASS IV
 TAS202-94 UNIFORM STATIC AIR PRESSURE
 TAS203-94 CYCLE WIND PRESSURE LOAD

| | | | |
|-------------|---------------|--------------------|--------------|
| PROJECT: | | | |
| ARCHITECT: | | | |
| CONTRACTOR: | | | |
| QTY: | | | |
| PART#: | | TBG36X30S1T | |
| | | TITLE: | |
| NAME | DATE | SIZE | DWG. NO. |
| DRAWN | 8/22/2017 | A | TBG36x30S1T |
| RELEASED | DWO 8/22/2017 | WEIGHT: 153.4LBS | SHEET 1 OF 2 |



DETAIL C
SCALE 1 : 8



TITLE:

| | NAME | DATE | SIZE | DWG. NO. | REV |
|----------|------|-----------|------|------------------|--------------|
| DRAWN | | 8/22/2017 | A | TBG36x30S1T | |
| RELEASED | DWO | 8/22/2017 | | WEIGHT: 153.4LBS | SHEET 2 OF 2 |