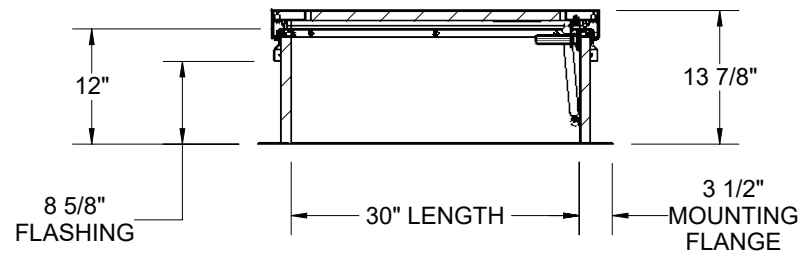
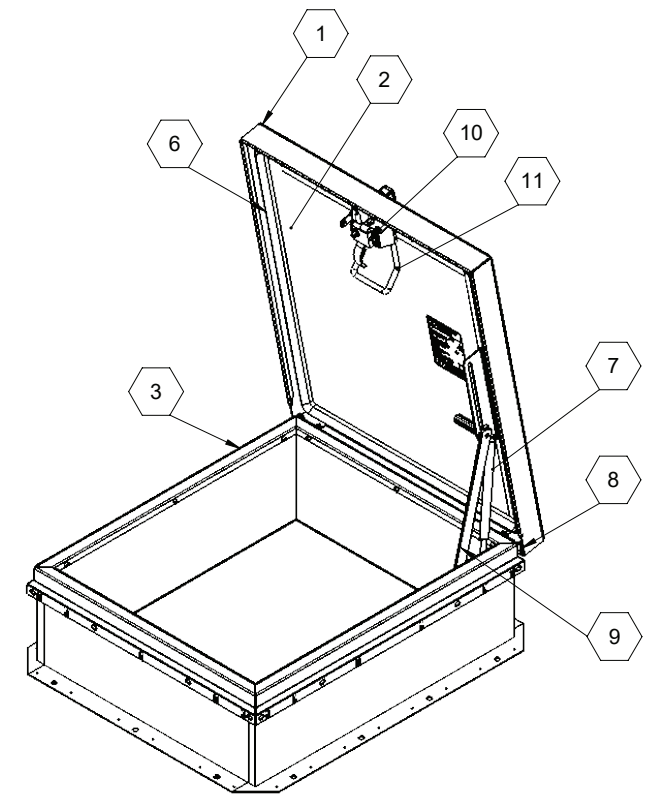


SECTION A-A



SECTION B-B



**SPECIFICATIONS:**

- ① **COVER:**  
11 GA (.090) ALUM, STIFFENED TO WITHSTAND A LIVE LOAD OF 40PSF WITH A MAX DEFLECTION OF 1/150 OF THE SPAN.
- ② **LINER:** 18 GA (.040) ALUM
- ③ **CURB:** 11 GA (.090) ALUM, CURB COUNTERFLASH WITH EZ TABS.
- ④ **FINISH:** MILL
- ⑤ **INSULATION:** 1" POLYISO R-6 (5.6 LTTR) IN CURB, 1" POLYSTYRENE R-4 (3.8 LTTR) IN COVER.
- ⑥ **GASKET:**  
EXTRUDED EPDM RUBBER ADHESIVE BACKED GASKET SEAL CONTINUOUS AROUND COVER.
- ⑦ **SPRING:**  
GAS SPRING WITH DAMPER FOR SMOOTH, CONTROLLED, COUNTERBALANCED LIFT ASSISTANCE.
- ⑧ **HINGE:** PINTLE HINGE WITH STAINLESS STEEL HINGE PINS.
- ⑨ **HOLD OPEN ARM:**  
ZINC PLATED STEEL AUTOMATIC HOLD OPEN ARM LOCKS COVER IN FULLY OPEN POSITION WITH RED GRIP HANDLE PULL RELEASE.

- ⑩ **LATCH:**  
ZINC PLATED STEEL SLAM LATCH, HOLDS COVERS CLOSED AGAINST WIND UPLIFT, INTERIOR AND EXTERIOR HANDLES WITH PADLOCK HASPS.
- ⑪ **PULL HANDLE:**  
INTERIOR PULL DOWN HANDLE, SAFETY YELLOW POWDER COAT.

**NOTES:**  
 -WHEN INSTALLING ON A PITCHED ROOF UP TO 7:12, THE HINGE SIDE(LENGTH)MUST BE PARALLEL TO THE SLOPE.  
 - WIDTH X LENGTH DIMENSIONS ARE MEASURED INSIDE CURB TO INSIDE CURB. THE WIDTH IS HINGE TO LATCH AND LENGTH IS HINGED SIDE.

**ROOF HATCH SIZE:** 36" (WIDTH) x 30" (LENGTH)

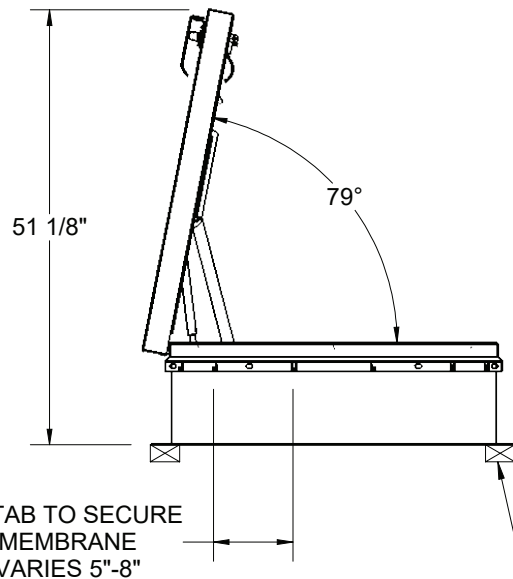
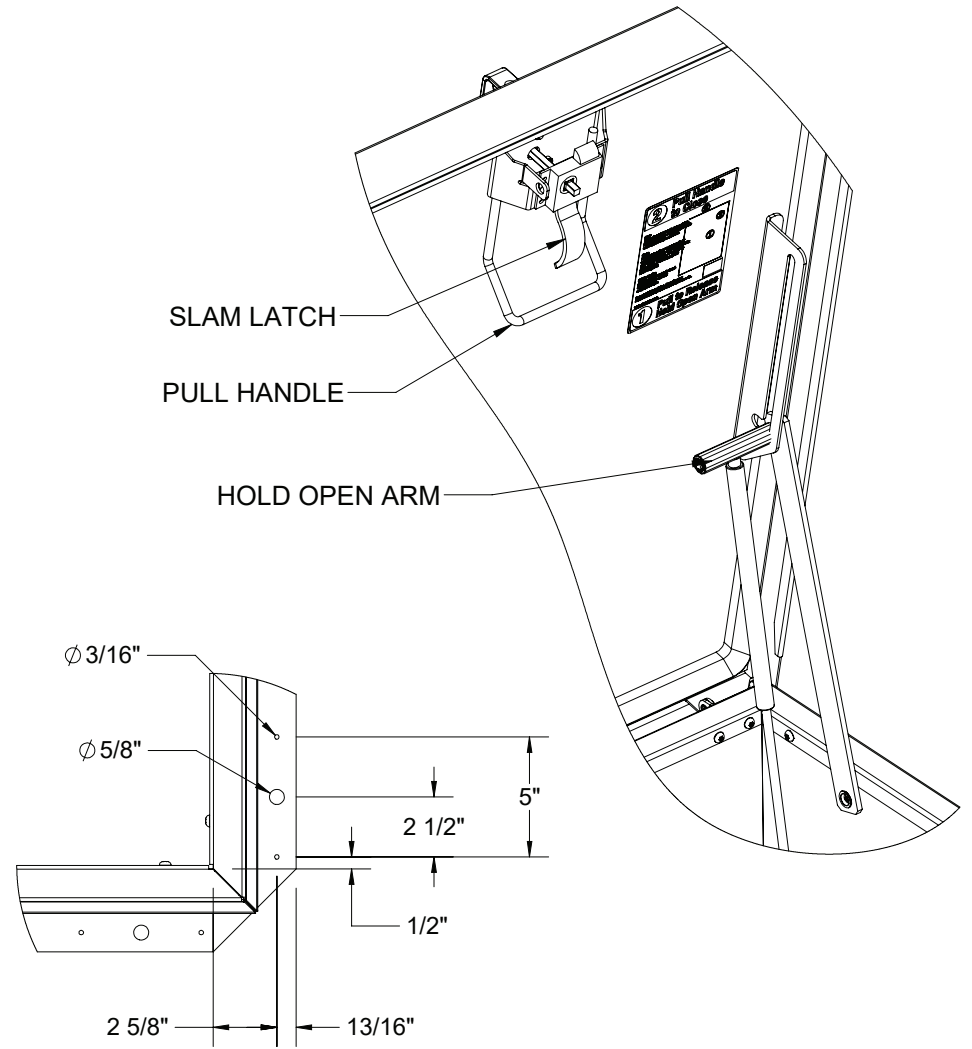
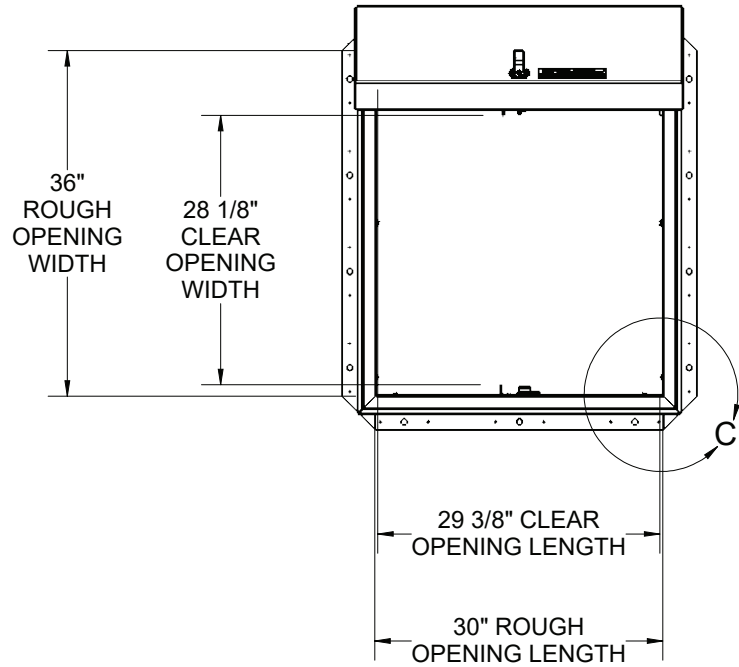
PROPRIETARY AND CONFIDENTIAL: THE INFORMATION CONTAINED IN THIS DRAWING IS THE SOLE PROPERTY OF TRI-BUILT™. ANY REPRODUCTION IN PART OR AS A WHOLE WITHOUT THE WRITTEN PERMISSION OF TRI-BUILT™ IS PROHIBITED.



**MIAMI DADE ACCEPTANCE NO: 21-1201.02**  
**EXPIRATION DATE: 5/25/2027**

**TEST CERTIFICATIONS:**  
 TAS201-94 IMPACT TEST - CLASS IV  
 TAS202-94 UNIFORM STATIC AIR PRESSURE  
 TAS203-94 CYCLE WIND PRESSURE LOAD

PROJECT:			
ARCHITECT:			
CONTRACTOR:			
QTY:			
PART#:		<b>TBA3630</b>	
		TITLE:	
		BRHUA36X30S1T Roof Hatch, Personnel, 36x30, S Dr, Zinc Hdw, Alum, Mill, Sngl Wall Curb	
NAME	DATE	SIZE	DWG. NO.
DRAWN RAK	4/18/23	A	TRI-BUILT RH TBA3630 ShpDr
RELEASED			WEIGHT: 73.4 LBS
			SHEET 1 OF 2



DETAIL C  
SCALE 1 : 8

EZ TAB TO SECURE  
MEMBRANE  
VARIES 5"-8"

WOOD, CONCRETE, OTHER  
MATERIAL FOR MOUNTING  
BY OTHERS (NIC)

		<b>TITLE:</b> BRHUA36X30S1T Roof Hatch, Personnel, 36x30, S Dr, Zinc Hdw, Alum, Mill, Sngl Wall Curb			
		<b>NAME</b> DRAWN RAK RELEASED	<b>DATE</b> 4/13/23	<b>SIZE</b> A	<b>DWG. NO.</b> TRI-BUILT RH TBA3630 ShpDr
<b>WEIGHT:</b> 73.4 LBS			<b>SHEET 2 OF 2</b>		

PROPRIETARY AND CONFIDENTIAL: THE INFORMATION CONTAINED IN THIS DRAWING IS THE SOLE PROPERTY OF TRI-BUILT®. ANY REPRODUCTION IN PART OR AS A WHOLE WITHOUT THE WRITTEN PERMISSION OF TRI-BUILT® IS PROHIBITED.