

SPECIFICATIONS


- ① LIFTING HANDLE
- ② RELEASE ROD
- ③ EXTENSION LOCK BRACKET
- ④ BALANCING SPRING
- ⑤ SQUARE TUBING (1 1/2" x 1 1/2")
- ⑥ ADJUSTABLE MOUNTING CHANNEL FITS LADDER RUNG SPACING 10"-12"
- ⑦ CLAMP BRACKET
- ⑧ STAINLESS STEEL MOUNTING HARDWARE

CERTIFICATIONS:

COMPLIES WITH OSHA 1910.29 REQUIREMENT FOR FIXED LADDERS

DESIGN LOAD OF 200 POUNDS

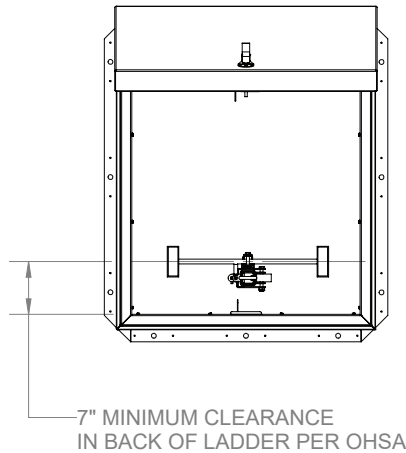
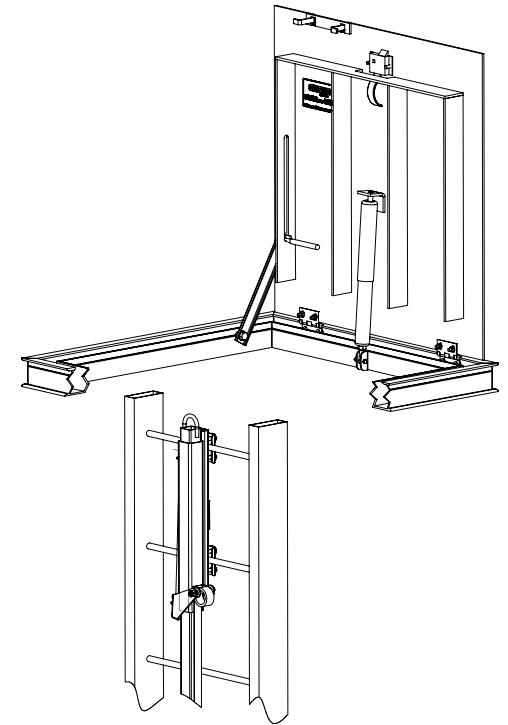
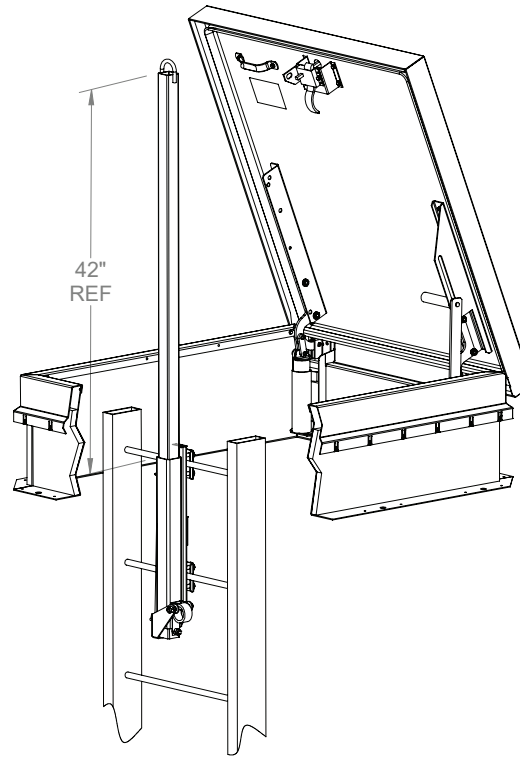
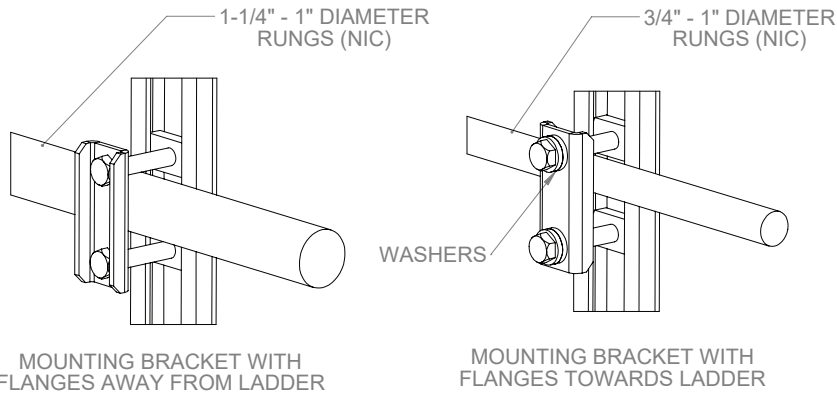
PART #	DESCRIPTION
TBSPY	STEEL, YELLOW POWDER COAT PAINT
TBSPG	STEEL, HOT DIPPED GALVANIZED
TBSPA	ALUMINUM, MILL FINISH
TBSPS	304 STAINLESS STEEL, MILL FINISH
TBSPR	STEEL, RED POWDER COAT PAINT

PROJECT:		
ARCHITECT:		
CONTRACTOR:		
QTY:		
PART#:		TBSPY
		TITLE: Safety Post, Ladder Access Aluminum, Safety Yellow Pwd, TRI-BUILT
NAME	DATE	SIZE
DRAWN	DKL	5/16/23
RELEASED		
DWG. NO.	TBSPY	
REV	D	
SHEET 1 OF 2		

CLAMP BRACKET DETAILS

ROOF HATCH APPLICATION SAFETY POST EXTENDED

FLOOR DOOR APPLICATION SAFETY POST RETRACTED



NOTES:

1. CLAMP BRACKETS MAY BE REVERSED TO ACCOMMODATE RUNG SIZES OF 3/4" TO 1-1/4" WITH STANDARD 2" BOLTS FURNISHED. LARGER RUNGS WILL REQUIRE LONGER BOLTS.
2. REINFORCE HOLLOW RUNG LADDERS WITH A SOLID ROUND BAR INTO THE TOP TWO RUNGS TO PROVIDE STRENGTH BEFORE MOUNTING SAFETY POST
3. MOUNT THE SAFETY POST TO THE REAR OF THE LADDER, WITH THE CLAMP BRACKETS ON THE CLIMBING SIDE
4. RAISE SAFETY POST TO FULLY EXTENDED POSITION THE EXTERNAL LOCK BRACKET ENGAGES TO LOCK THE SAFETY POST IN PLACE. TO LOWER THE POST, LIFT UP THE RELEASE ROD AND RETRACT THE POST.
HATCH AND LADDER NOT INCLUDED - SHOWN FOR SAFETY POST INSTALLATION PURPOSES ONLY.

			TITLE: Safety Post, Ladder Access Aluminum, Safety Yellow Pwd, TRI-BUILT		
			NAME	DATE	SIZE
DRAWN	DKL	5/16/23	A	TBSPY	D
RELEASED					SHEET 2 OF 2